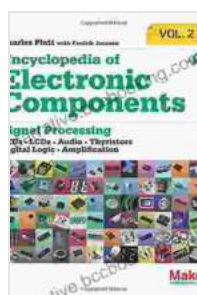
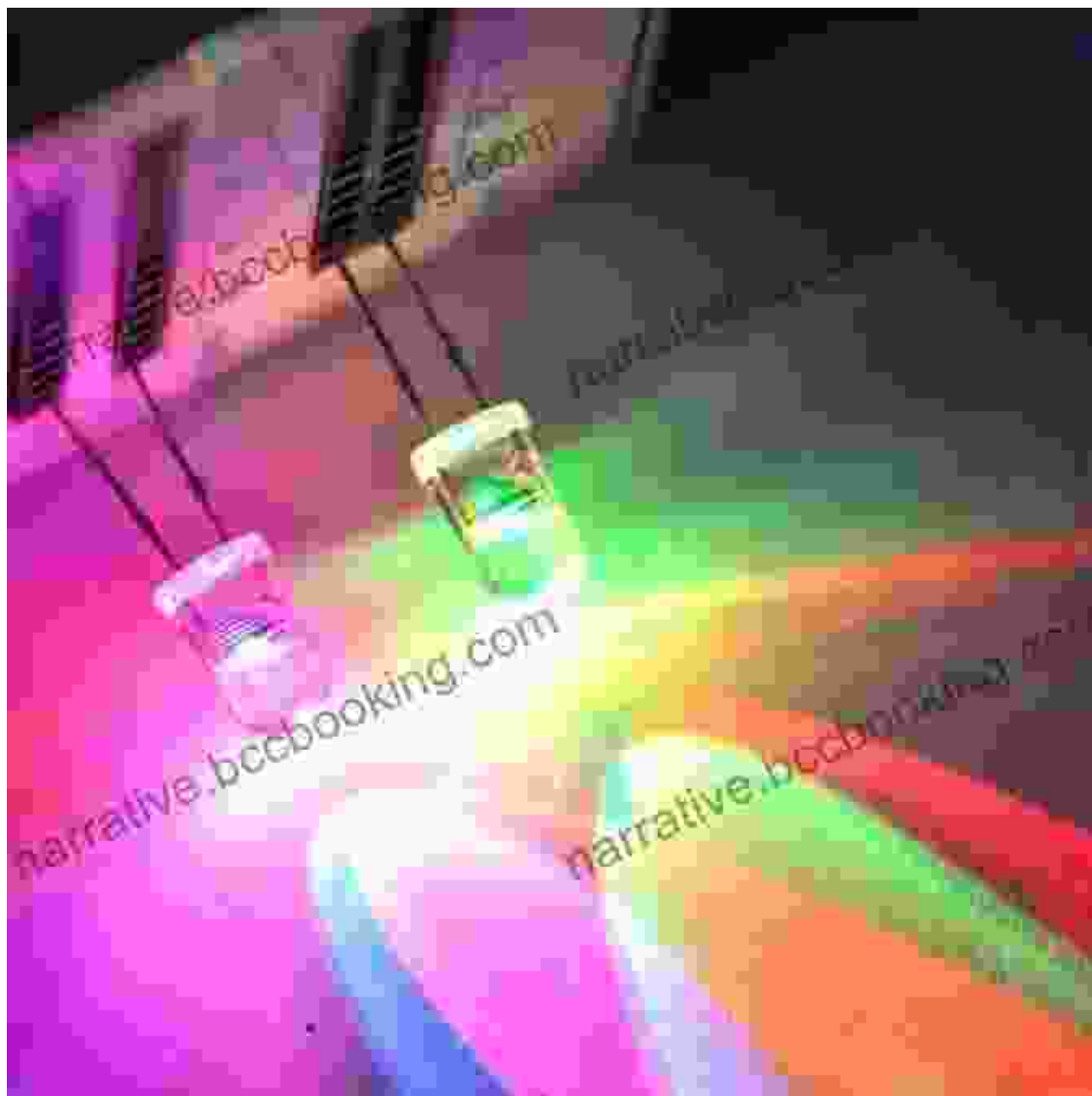


# **Empowering Electronic Engineers: Dive into the World of LEDs, LCDs, Audio, Thyristors, Digital Logic, and Amplification with Our Comprehensive Guide**

Embark on an electrifying journey into the realm of electronics with our comprehensive guide to LEDs, LCDs, audio, thyristors, digital logic, and amplification. This indispensable resource unveils the intricacies of these fundamental technologies, empowering electronic engineers and enthusiasts alike to harness their full potential.

## **Chapter 1: Illuminating with Light-Emitting Diodes (LEDs)**



## Encyclopedia of Electronic Components Volume 2: LEDs, LCDs, Audio, Thyristors, Digital Logic, and Amplification

by Charles Platt

★★★★☆ 4.8 out of 5

Language : English

File size : 66884 KB

Text-to-Speech : Enabled

Screen Reader : Supported



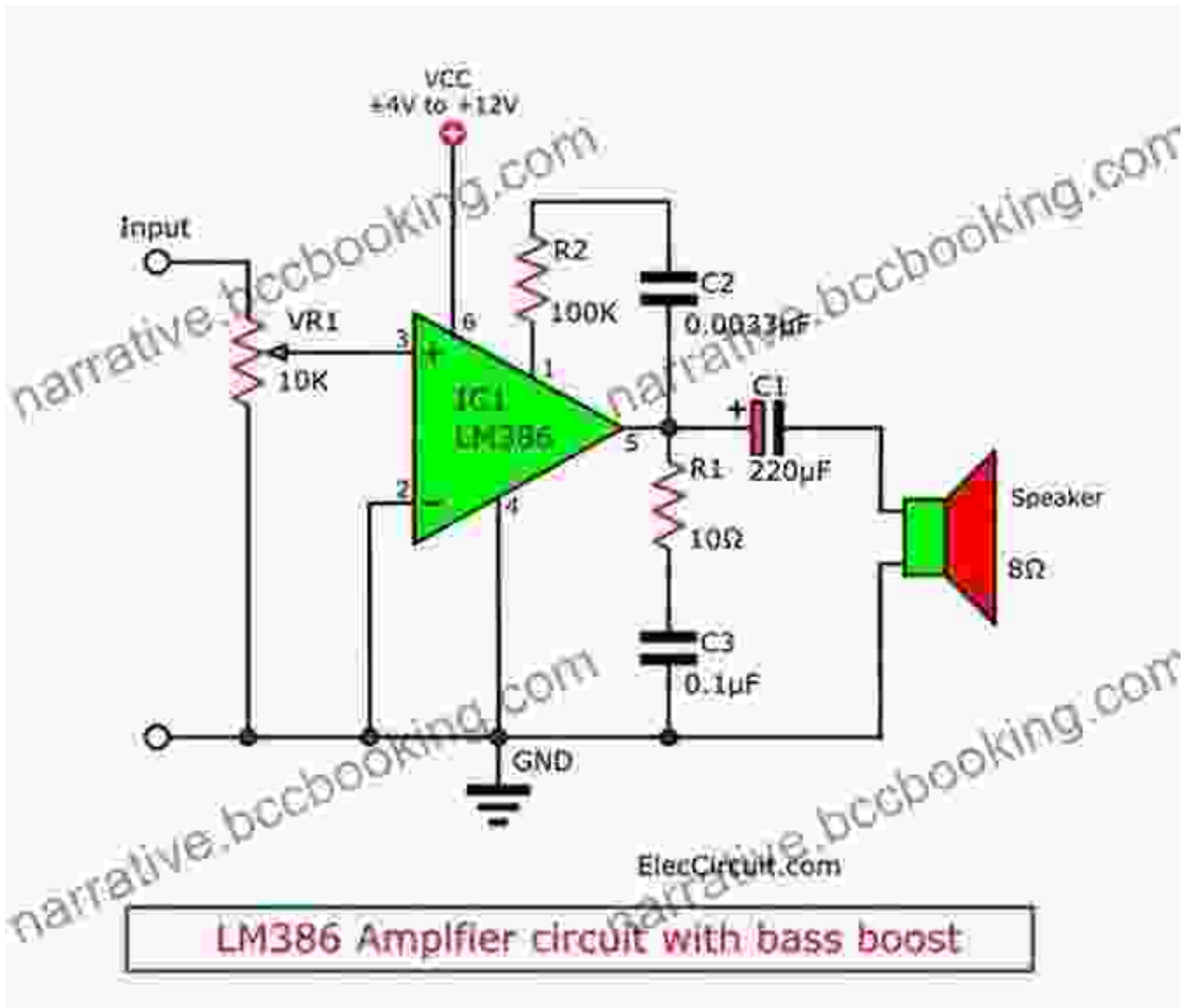
Step into the world of light-emitting diodes (LEDs), where semiconductors dance to produce vibrant colors. Discover the mechanisms behind their operation, the factors influencing their efficiency, and the diverse applications that harness their radiant energy.

## **Chapter 2: Displaying Information with Liquid Crystal Displays (LCDs)**



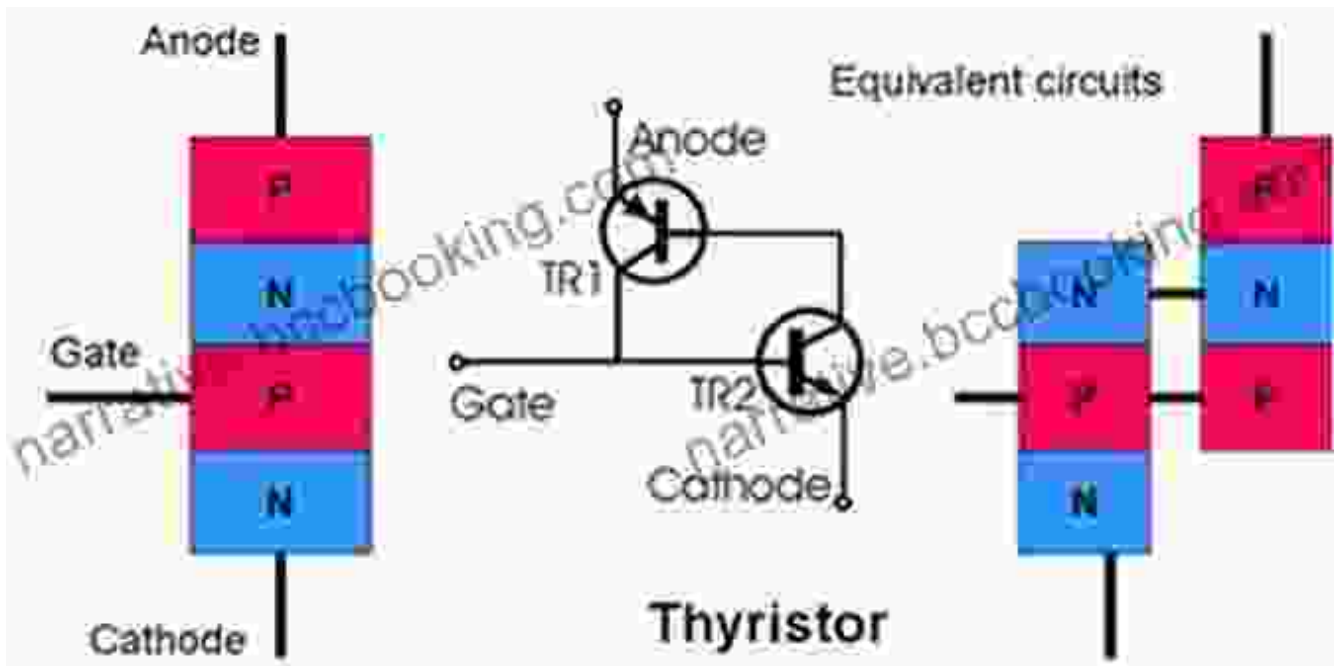
Unveiling the secrets of liquid crystal displays (LCDs), our guide delves into the molecular alignment that controls light transmission. Explore the different LCD technologies, their advantages and limitations, and the advancements that continue to reshape the display landscape.

## Chapter 3: Amplifying Sound with Audio Amplifiers



Immerse yourself in the world of audio amplifiers, uncovering the principles of amplification, the various types of amplifiers, and the crucial role they play in delivering crystal-clear sound. From transistors to integrated circuits, our guide provides a comprehensive understanding of these essential components.

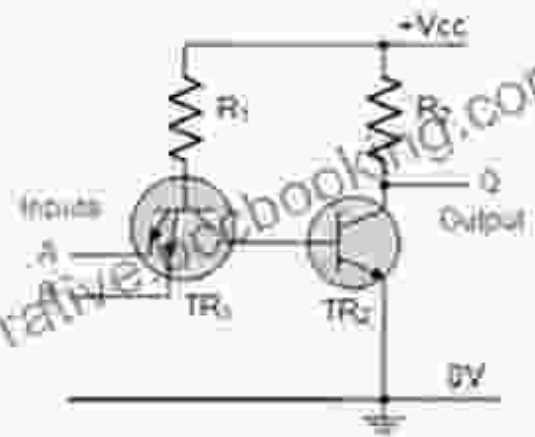
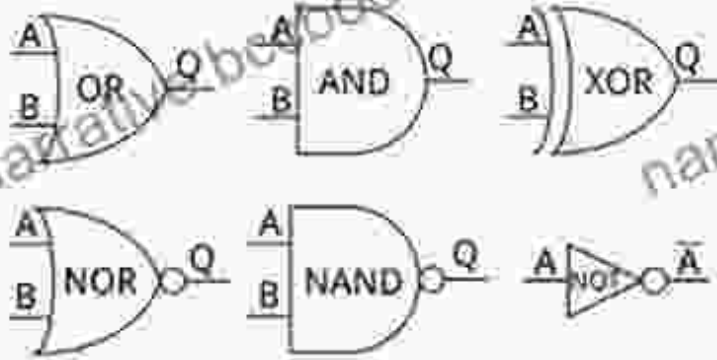
## Chapter 4: Controlling Power with Thyristors



Unleash the power of thyristors, the semiconductor switches that regulate the flow of electricity. Delve into their unique characteristics, explore their applications in power electronics, and discover the principles behind their controlled conduction and switching capabilities.

## Chapter 5: Logic at Its Core: Digital Logic

# What is a Digital Logic Gate?

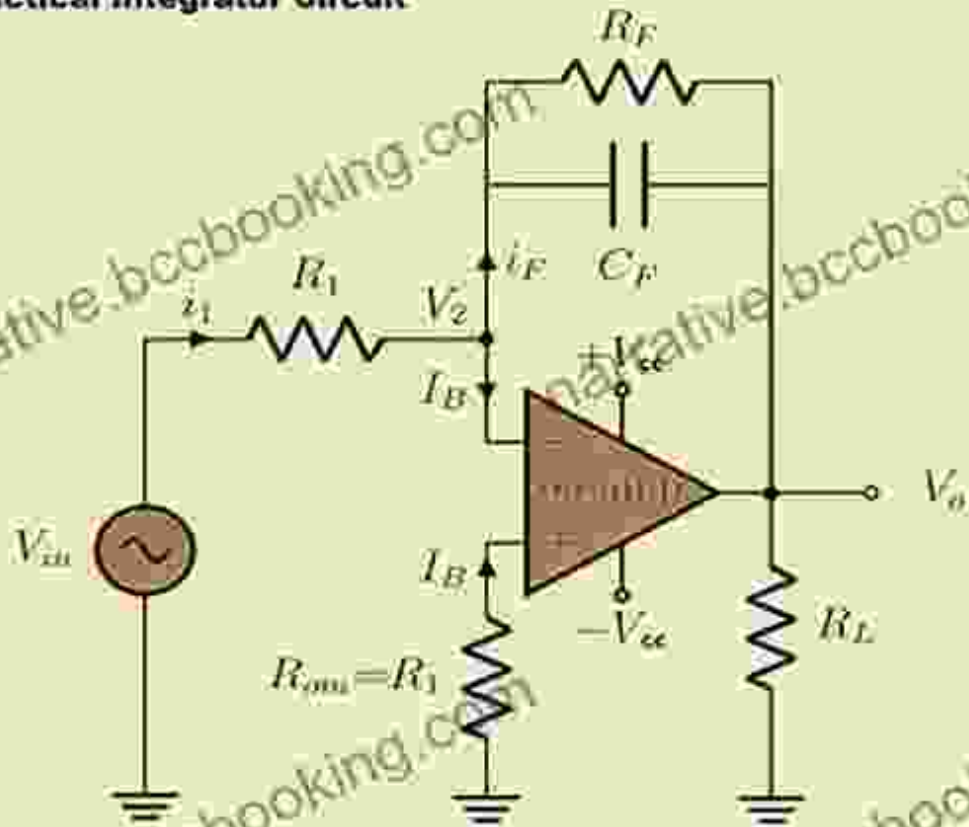


**Electrical 4 U**

Master the foundations of digital logic, the language of modern electronics. Our guide unveils the binary world of logic gates, Boolean algebra, and combinational and sequential circuits, providing a solid understanding of the digital realm.

## Chapter 6: Amplifying Signals with Operational Amplifiers (Op-Amps)

### Practical Integrator Circuit



Advance your knowledge with operational amplifiers (op-amps), the versatile building blocks of analog electronics. Discover their configurations, applications, and the techniques used to analyze and design op-amp circuits for a wide range of applications.

### Empowering the Future of Electronics

Our comprehensive guide to LEDs, LCDs, audio, thyristors, digital logic, and amplification is an invaluable asset for electronic engineers and enthusiasts seeking to expand their knowledge and skills. With its clear explanations, detailed illustrations, and practical examples, this book empowers you to:

- Comprehend the fundamentals of these essential electronic technologies
- Design and implement electronic circuits with confidence
- Troubleshoot and repair electronic devices effectively
- Stay abreast of advancements in the ever-evolving field of electronics

Equip yourself with the knowledge and expertise to navigate the dynamic world of electronics. Free Download your copy of "LEDs, LCDs, Audio, Thyristors, Digital Logic, and Amplification" today and unlock the power of these fundamental technologies.

*Empower yourself. Empower the future of electronics.*



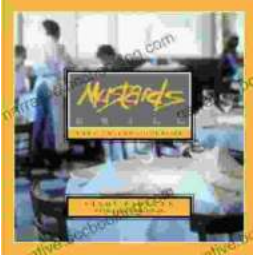
## Encyclopedia of Electronic Components Volume 2: LEDs, LCDs, Audio, Thyristors, Digital Logic, and Amplification by Charles Platt

★★★★☆ 4.8 out of 5

Language : English  
File size : 66884 KB  
Text-to-Speech : Enabled  
Screen Reader : Supported  
Enhanced typesetting : Enabled  
Print length : 802 pages

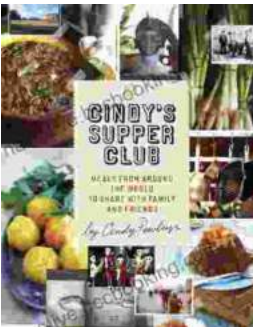






## **Escape to the Culinary Paradise: "Truck Stop Deluxe In Napa Valley" Promises an Unforgettable Wine Country Adventure**

Prepare your palate for an extraordinary culinary adventure in the heart of Napa Valley. "Truck Stop Deluxe In Napa Valley" is an immersive journey through...



## **A Taste of the Unusual: Discover the Enchanting World of Cindy Supper Club**

Prepare to be captivated by "Cindy Supper Club," a literary masterpiece that transports you to an extraordinary realm of culinary delights and enigmatic encounters. Within its...